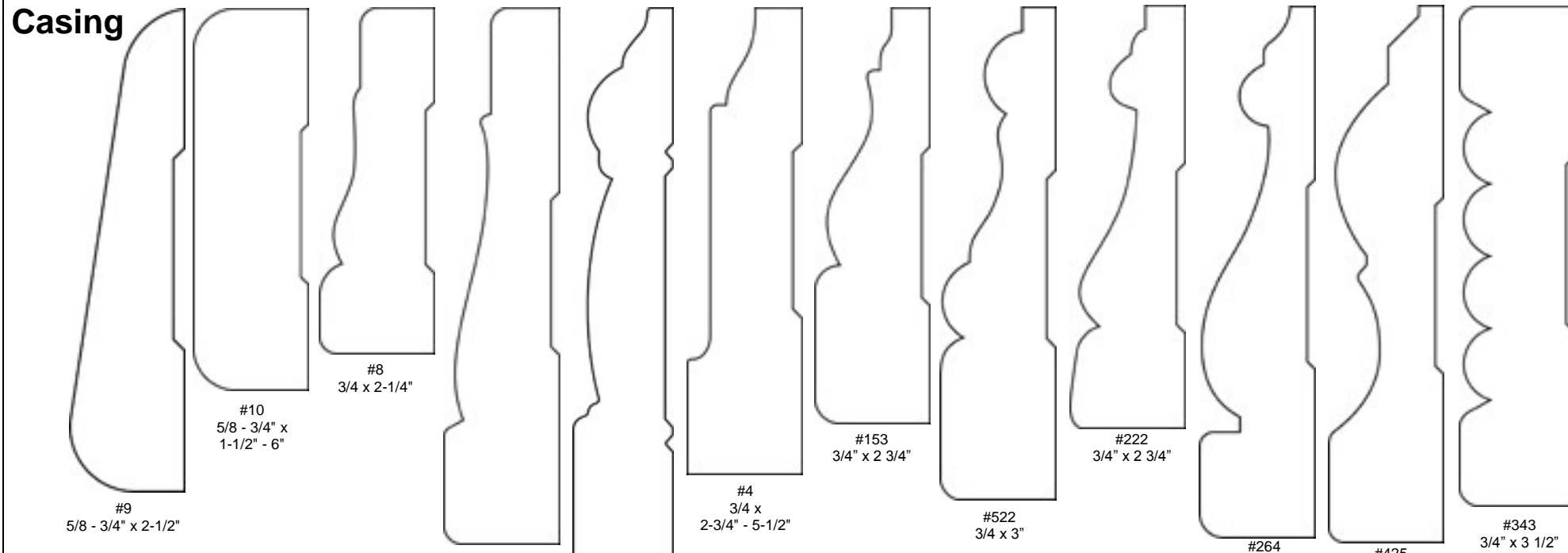
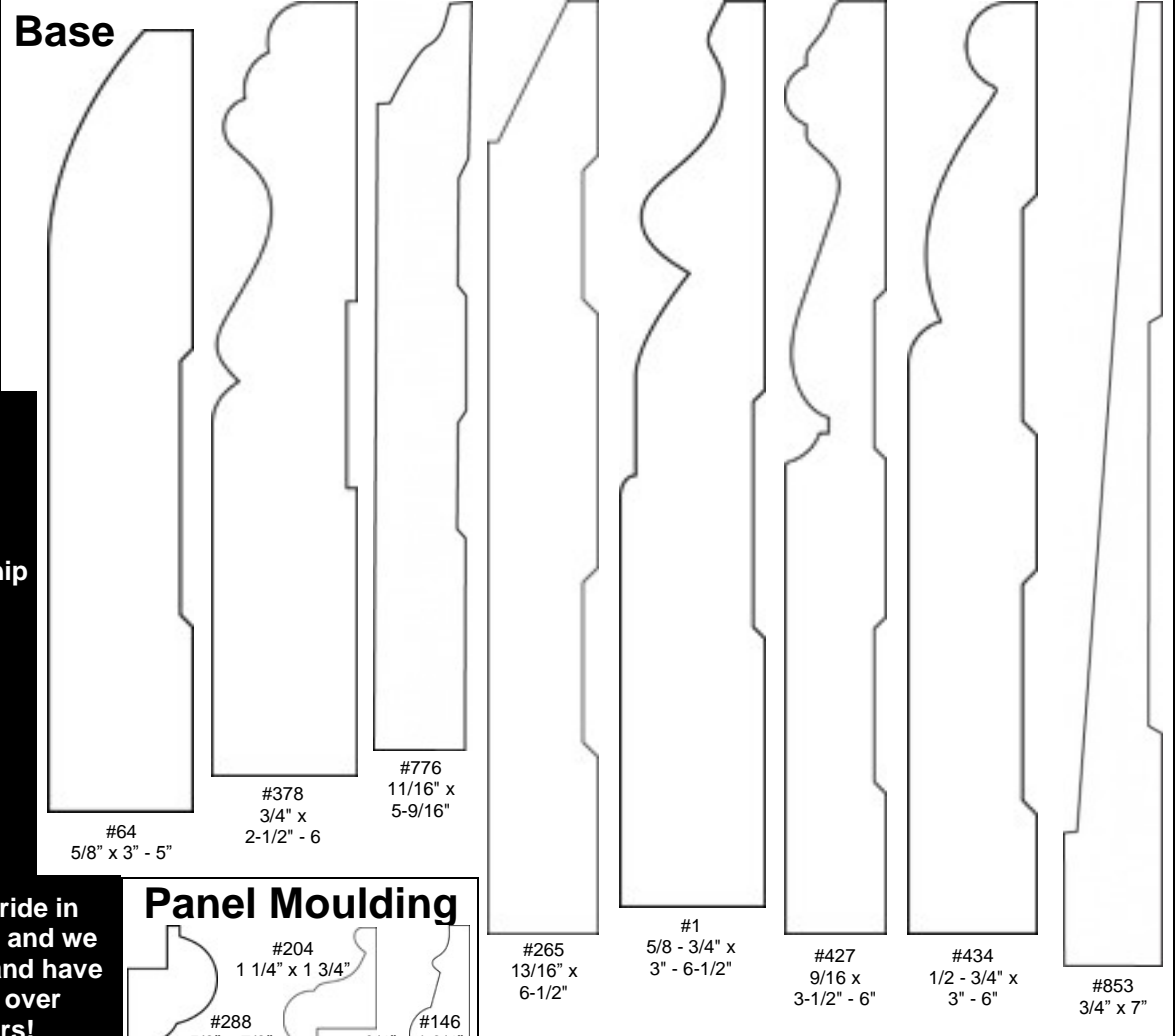


Casing



Over 30 species of Wood! Alder, Ash, Basswood, Birch, Bubinga, Aromatic Cedar, Spanish Cedar, Cherry, Brazilian Cherry, Douglas Fir, Hickory, Koto, Paduck, Poplar, Knotty Pine, Yellow Pine, Radiata Pine, Purple Hart, Mahogany, Bird's Eye Maple, Curly Maple, Hard Maple, Curly Jatoba, Osage, Red Oak, Redwood, Teak, Walnut, Wenge, White Oak, Zebra... Rough Lumber, Rift Sawn, Quarter Sawn, Reclaimed Barn Beams/Siding Lumber and more!

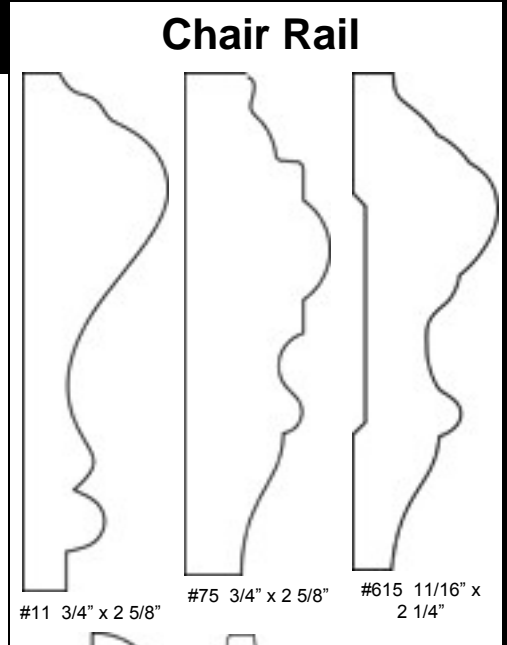
Base



Over 1,000+ profiles to choose from!

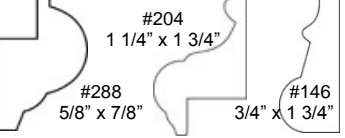
We can replicate most trim profiles!

Chair Rail

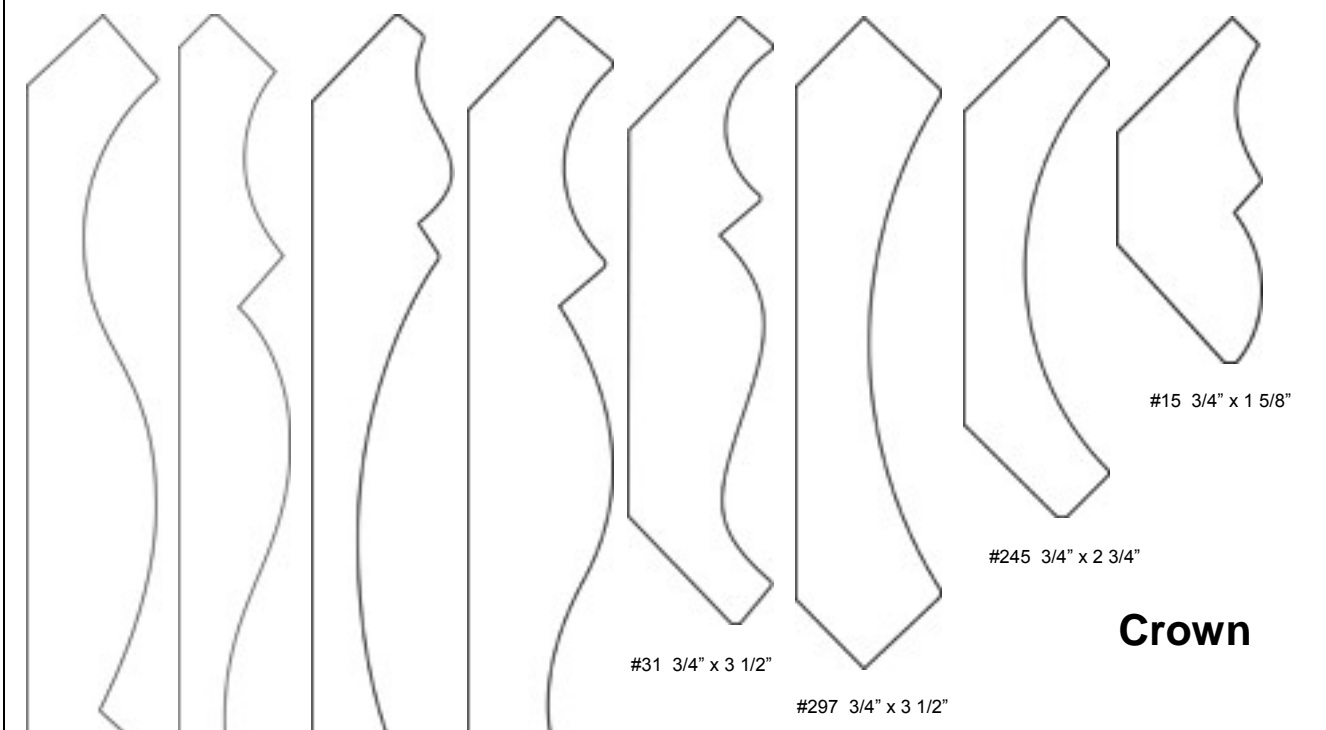


Custom Made Orders
Quality Craftsmanship
Great Pricing
Made Right!
Made Here!
We take pride in what we do and we do it well...and have been for over 34 years!

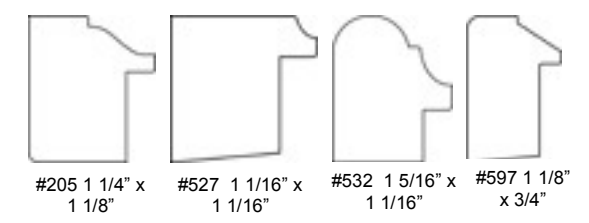
Panel Moulding



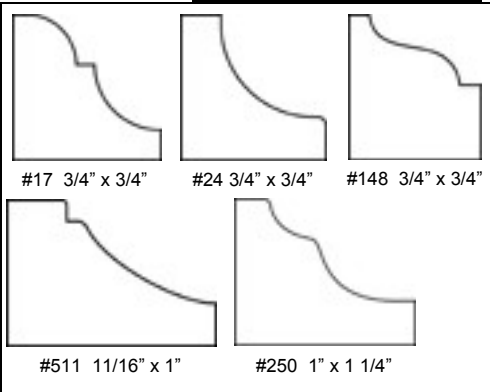
Crown



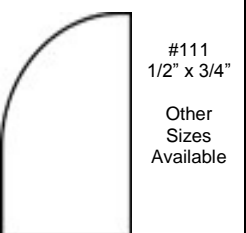
Cap



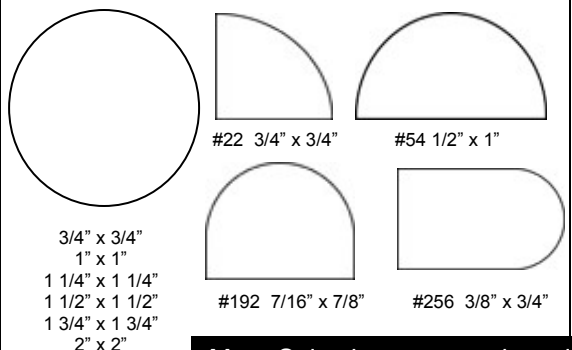
Cove



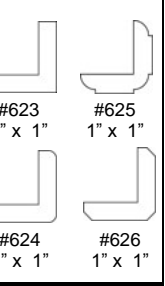
Base Shoe



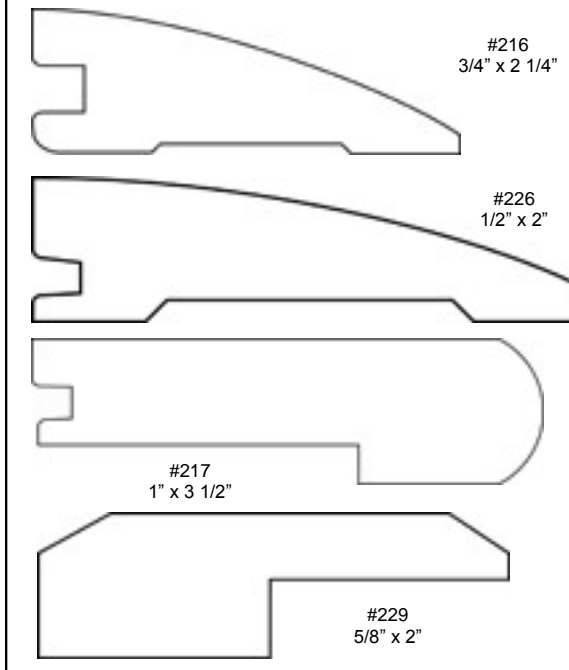
Rounds Full, Quarter, Half, Closet Pole



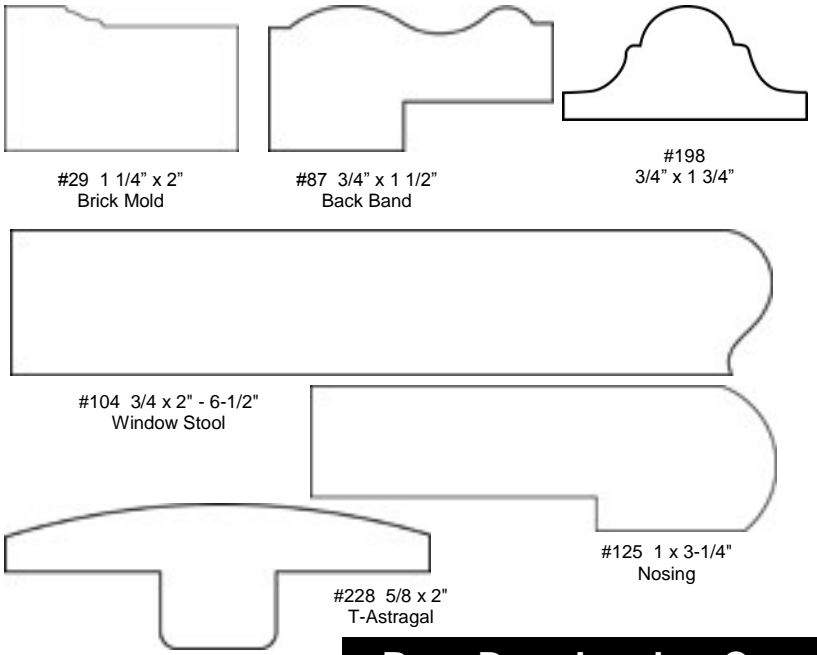
Corner Guard



Flooring Detail



Miscellaneous Profiles



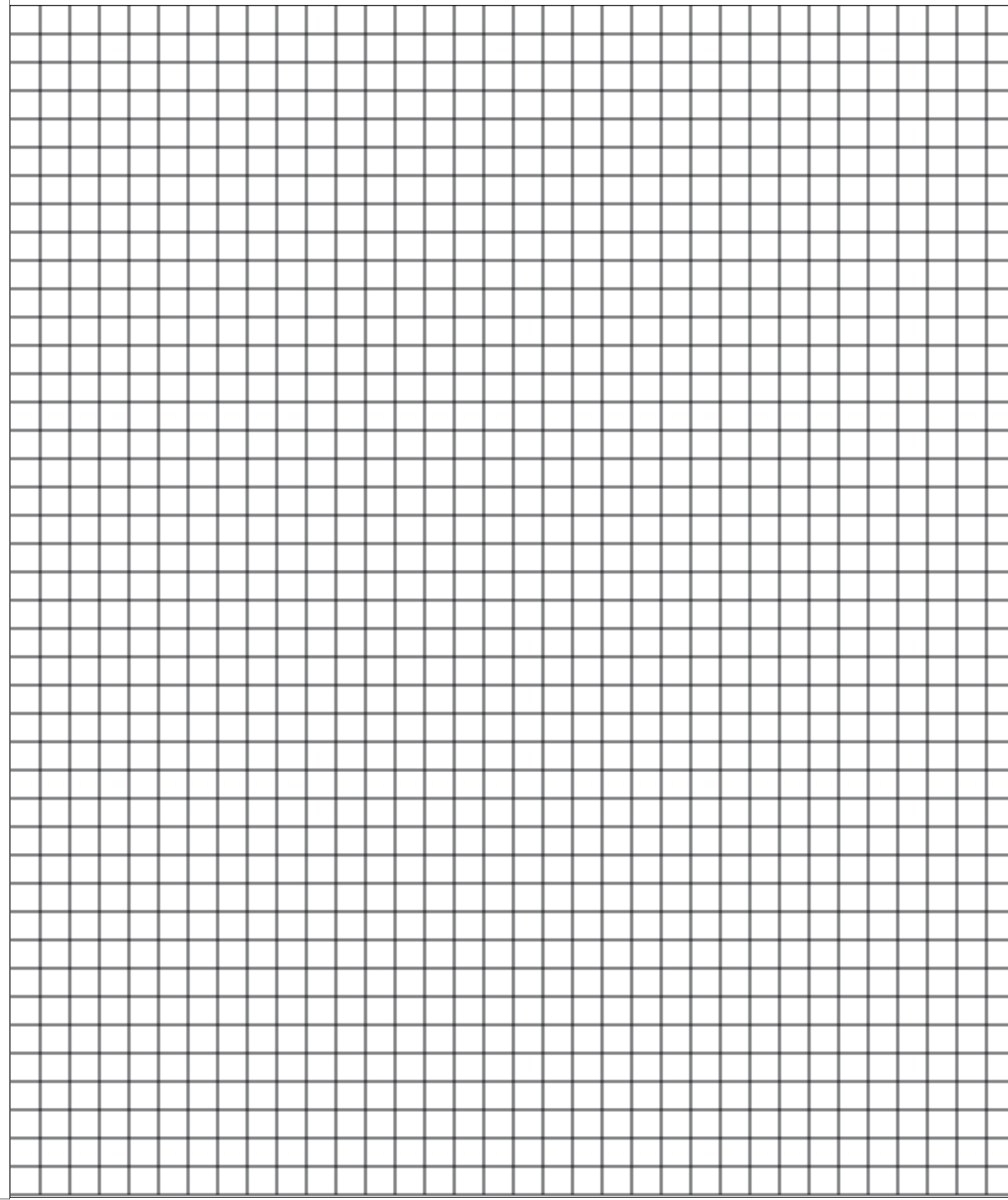
Notes:

Project/Job Name: _____ PO# _____

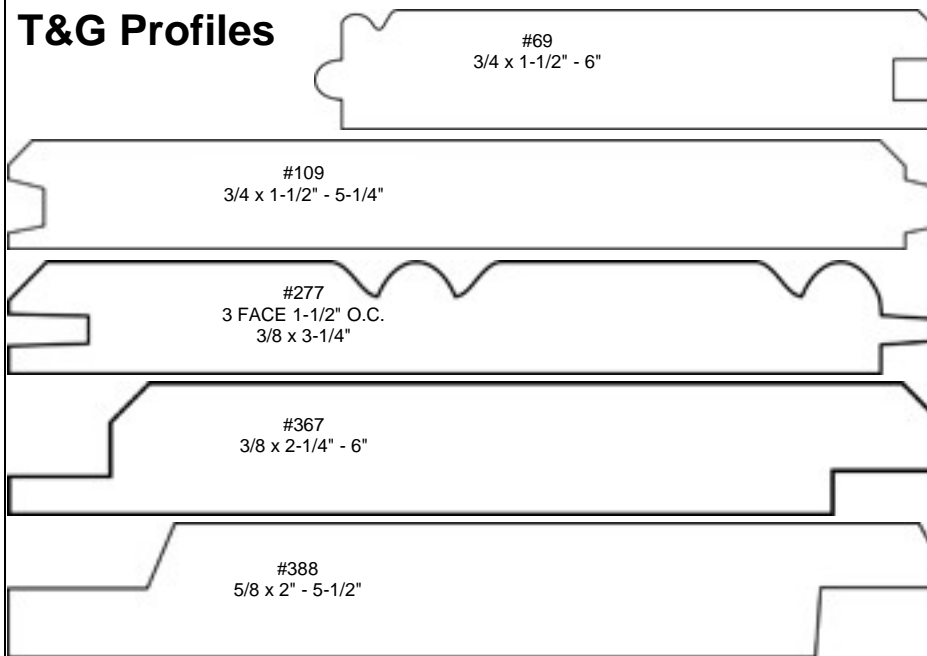
Lumber Yard/Building Center: _____

Sales Contact: _____

Phone/Fax: _____



T&G Profiles



Barn Door Lumber Co.

We can't fit everything we do on this paper...

We are known for our quality Stair Treads, Handrails, Newel Posts

We make Interior Barn Track Kits/Doors

We make Butcher Block Countertops

We can replicate turnings with our own lathe

We make Arches & Eyebrows

We make Corbels

We make Extension Jambs

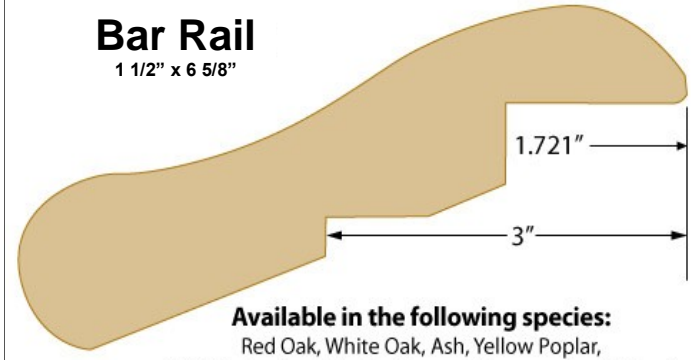
We make S4S Boards

We can't fit it all here...visit:

www.barndoorlumber.com
for more profiles and products!

Bar Rail

1 1/2" x 6 5/8"



Available in the following species:

Red Oak, White Oak, Ash, Yellow Poplar, Soft Maple, Hard Maple, Cherry, Mahogany, and Walnut